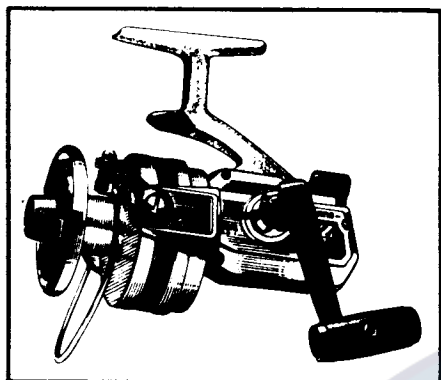


## 1987 REPAIR MANUAL SHEET MLZ-60

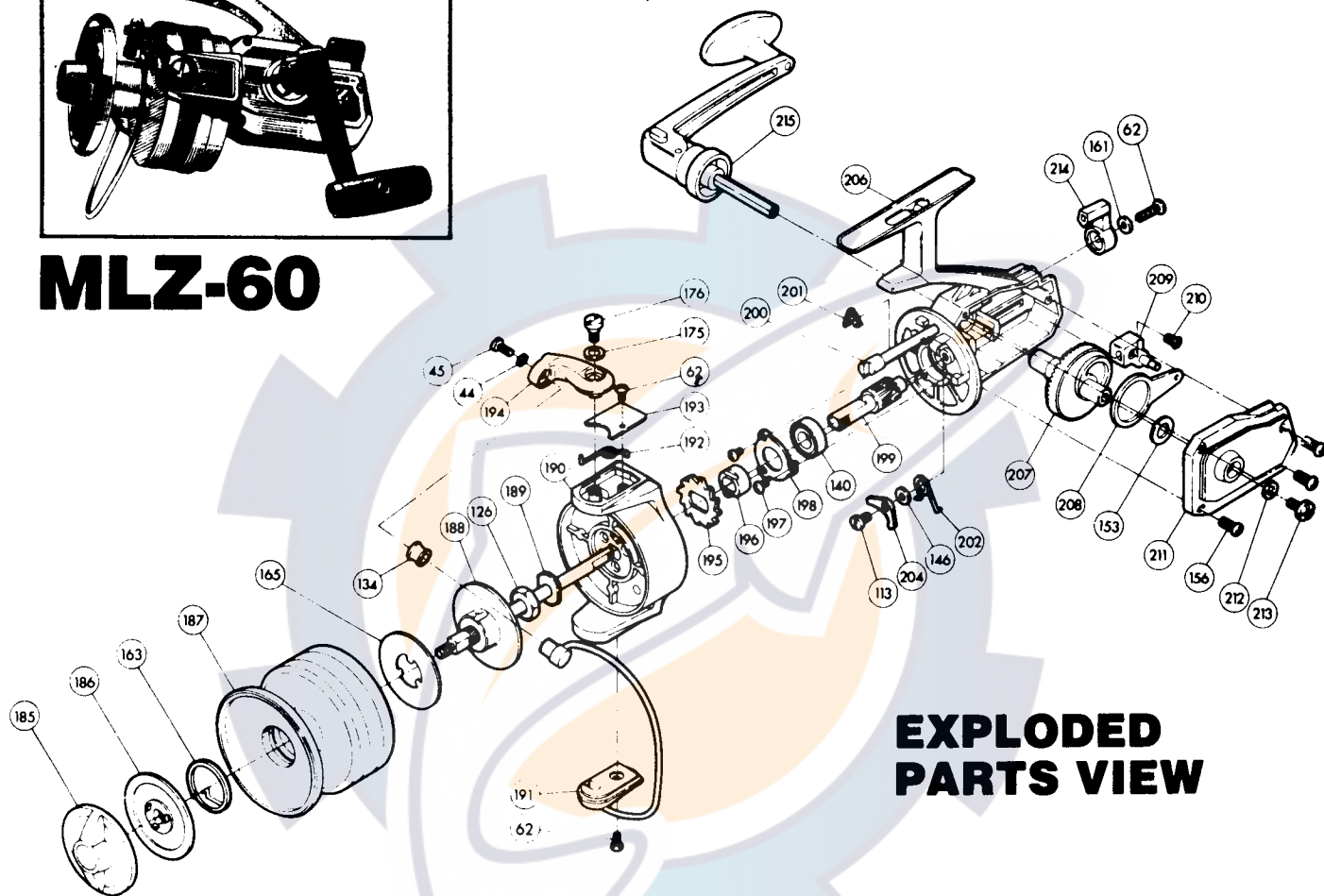
Shimano American Corporation, One Shimano Dr.  
Irvine, CA 92718

**TO ORDER:**

This reel belongs to the "MLX, MLZ" series.  
Please order parts using the abbreviation  
"MLZ" and the part number.



### MLZ-60



### EXPLODED PARTS VIEW

### PARTS LIST

**PART# DESCRIPTION**

- 44 Lock washer
- 45 Line guide screw
- 62 Cover screw
- 113 Anti reverse dog screw
- 126 Rotor nut
- 134 Roller line guide
- 140 Ball bearing
- 146 Anti reverse dog spacer
- 153 Drive gear spacer
- 156 Side plate screw
- 161 Anti reverse lever lock wash
- 163 Click spring
- 165 Base drag disk
- 175 Bail screw washer
- 176 Bail mount screw

**PART# DESCRIPTION**

- 185 Drag adjusting knob
- 186 Drag disk
- 187 Spool shell
- 188 Spindle
- 189 Rotor lock plate
- 190 Rotor
- 191 Bail wire
- 192 Bail spring
- 193 Bail spring cover
- 194 Bail mount
- 195 Anti reverse ratchet
- 196 Anti reverse ratchet spacer
- 197 Bearing retainer screw
- 198 Bearing retainer
- 199 Pinion gear

**PART# DESCRIPTION**

- 200 Anti reverse shaft
- 201 Anti reverse shaft spring
- 202 Anti reverse dog spring
- 204 Anti reverse dog
- 206 Housing
- 207 Drive gear
- 208 Oscillation guide
- 209 Oscillation guide block
- 210 Oscillation guide blk. screw
- 211 Side plate
- 212 Handle screw lock washer
- 213 Handle screw
- 214 Anti reverse lever
- 215 Handle